

$\bar{1}$

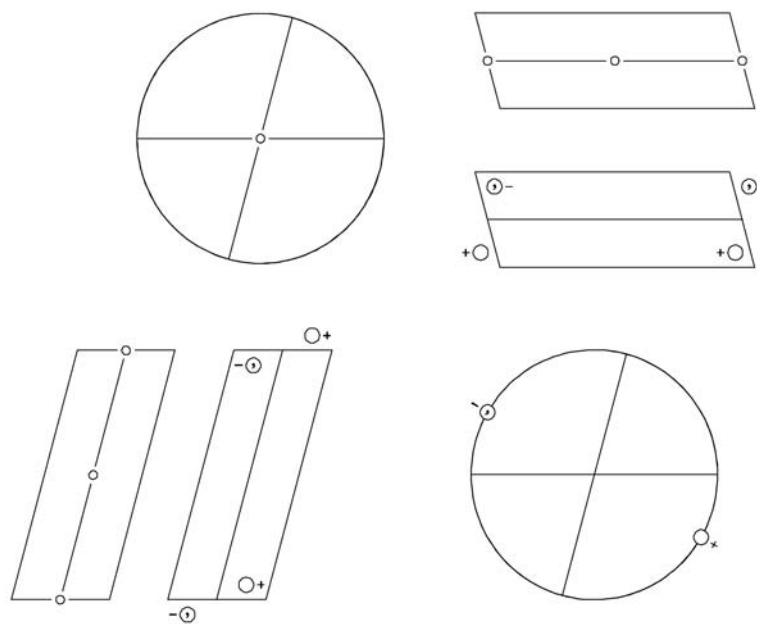
$\bar{1}$

Triclinic

No. 2

$\bar{1}$

Patterson symmetry  $\bar{1}$



Origin at  $\bar{1}$

Asymmetric unit  $0 \leq z \leq \frac{1}{2}$

Symmetry operations

- (1) 1      (2)  $\bar{1}$  0,0,0

**Generators selected** (1);  $t(0,0,1)$ ; (2)

**Positions**

Multiplicity, Wyckoff letter, Site symmetry		Coordinates	Reflection conditions
2 c 1	(1) $x, y, z$	(2) $\bar{x}, \bar{y}, \bar{z}$	General: no conditions Special: no extra conditions
1 b $\bar{1}$	$0, 0, \frac{1}{2}$		
1 a $\bar{1}$	$0, 0, 0$		

**Symmetry of special projections**

Along [001] $211$	Along [100] $\mu 211$	Along [010] $\mu 211$
Origin at $0, 0, z$	$\mathbf{a}' = \mathbf{c}_p$ Origin at $x, 0, 0$	$\mathbf{a}' = \mathbf{c}_p$ Origin at $0, y, 0$

**Maximal non-isotypic non-enantiomorphic subgroups**

**I**  $[2] \mu 1 (1) 1$

**IIa** none

**IIb** none

**Maximal isotypic subgroups and enantiomorphic subgroups of lowest index**

**IIc**  $[2] \mu \bar{1} (c' = 2c) (2)$

**Minimal non-isotypic non-enantiomorphic supergroups**

**I**  $[2] \mu 2/m 11 (6)$ ;  $[2] \mu 2/c 11 (7)$ ;  $[2] \mu 112/m (11)$ ;  $[2] \mu 112_1/m (12)$ ;  $[3] \mu \bar{3} (45)$

**II** none