

$\mu 112$

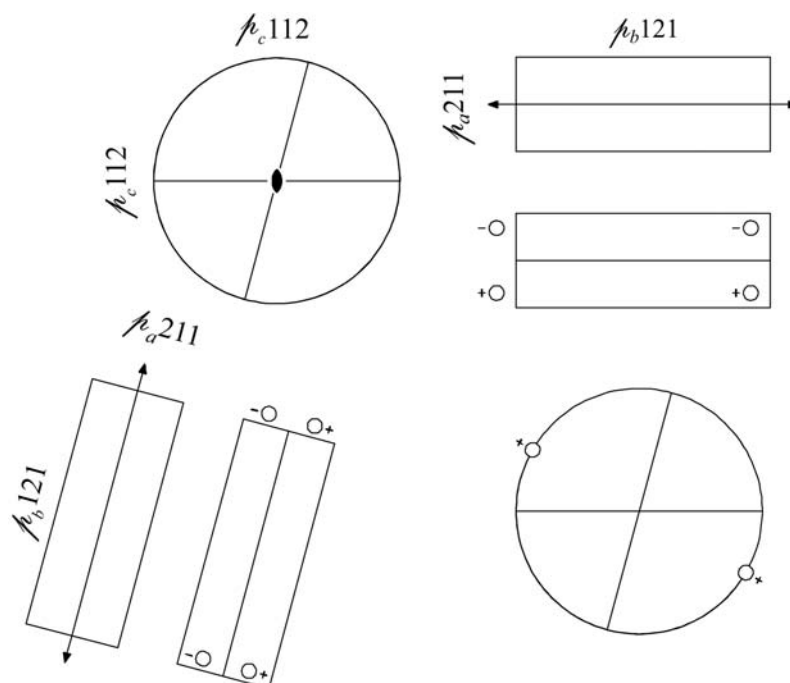
2

Monoclinic/Rectangular

No. 8

$\mu 112$

Patterson symmetry $\mu 112/m$



Origin on 2

Asymmetric unit $0 \leq x; 0 \leq z \leq 1$

Symmetry operations

- (1) 1 (2) 2 $0,0,z$

Generators selected (1); $t(0,0,1)$; (2)

Positions

Multiplicity, Wyckoff letter, Site symmetry	Coordinates		Reflection conditions
2 b 1	(1) x, y, z	(2) \bar{x}, \bar{y}, z	General: no conditions Special: no extra conditions
1 a 2	0, 0, z		

Symmetry of special projections

Along [001] 211	Along [100] $\bar{1}11m$	Along [010] $\bar{1}11m$
Origin at 0, 0, z	$\mathbf{a}' = \mathbf{c}$ Origin at $x, 0, 0$	$\mathbf{a}' = \mathbf{c}$ Origin at 0, $y, 0$

Maximal non-isotypic non-enantiomorphic subgroups

- I** $[2]\bar{1}(1) 1$
IIa none
IIb $[2]\bar{1}112_1 (\mathbf{c}' = 2\mathbf{c}) (9)$

Maximal isotypic subgroups and enantiomorphic subgroups of lowest index

- IIc** $[2]\bar{1}112 (\mathbf{c}' = 2\mathbf{c}) (8)$

Minimal non-isotypic non-enantiomorphic supergroups

- I** $[2]\bar{1}112/m (11)$; $[2]\bar{1}222 (13)$; $[2]\bar{1}mm2 (15)$; $[2]\bar{1}cc2 (16)$; $[2]\bar{1}4 (23)$; $[2]\bar{1}4_2 (25)$; $[2]\bar{1}\bar{4} (27)$; $[3]\bar{1}6 (53)$; $[3]\bar{1}6_2 (55)$; $[3]\bar{1}6_4 (57)$
II none