

$\mu 1 1 m$

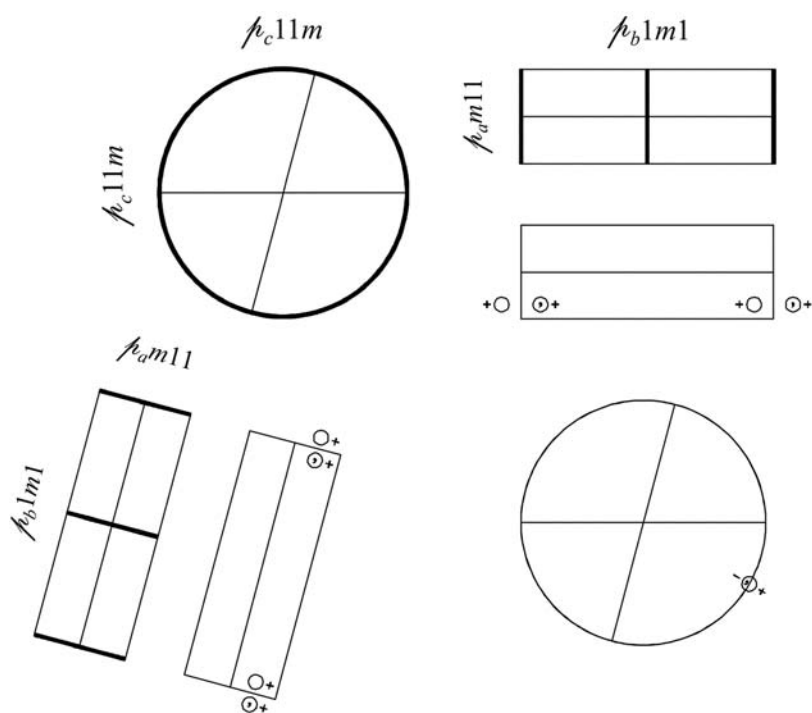
m

Monoclinic/Rectangular

No. 10

$\mu 1 1 m$

Patterson symmetry $\mu 1 1 2/m$



Origin on mirror plane m

Asymmetric unit $0 \leq z \leq \frac{1}{2}$

Symmetry operations

- (1) 1 (2) $m \ x,y,0$

Generators selected (1); $t(0,0,1)$; (2)

Positions

| Multiplicity, Wyckoff letter, Site symmetry | Coordinates | Reflection conditions |
|---|-----------------------------------|---|
| 2 c 1 | (1) x, y, z (2) x, y, \bar{z} | General: no conditions Special: no extra conditions |
| 1 b m | $x, y, \frac{1}{2}$ | |
| 1 a m | $x, y, 0$ | |

Symmetry of special projections

| | | |
|-------------------|---|---|
| Along [001] 1 | Along [100] $\bar{1}1m1$ | Along [010] $\bar{1}1m1$ |
| Origin at 0, 0, z | $\mathbf{a}' = \mathbf{c}$ Origin at $x, 0, 0$ | $\mathbf{a}' = \mathbf{c}$ Origin at 0, y, 0 |

Maximal non-isotypic non-enantiomorphic subgroups

| | |
|------------|---------------------|
| I | $[2] \bar{1}1(1)$ 1 |
| IIa | none |
| IIb | none |

Maximal isotypic subgroups and enantiomorphic subgroups of lowest index

| | |
|------------|---|
| IIc | $[2] \bar{1}11m$ ($\mathbf{c}' = 2\mathbf{c}$) (10) |
|------------|---|

Minimal non-isotypic non-enantiomorphic supergroups

| | |
|-----------|---|
| I | $[2] \bar{1}112/m$ (11); $[2] \bar{1}112_1/m$ (12); $[2] \bar{1}2mm$ (18); $[2] \bar{1}2cm$ (19); $[2] \bar{1}\bar{6}$ (59) |
| II | none |