

$\bar{1}$

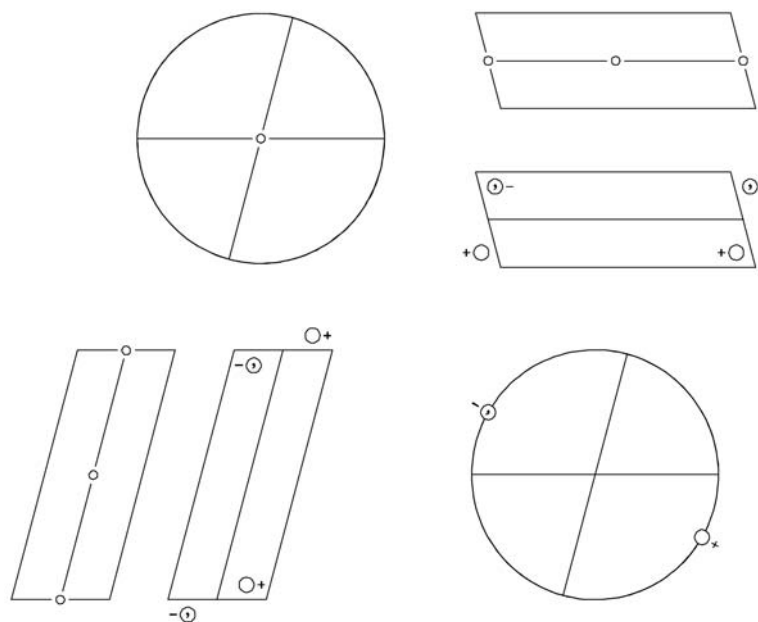
$\bar{1}$

Triclinic

No. 2

$\bar{1}$

Patterson symmetry $\bar{1}$



Origin at $\bar{1}$

Asymmetric unit $0 \leq z \leq \frac{1}{2}$

Symmetry operations

- (1) 1 (2) $\bar{1} \ 0,0,0$
 $(1|0,0,0)$ $(\bar{1}|0,0,0)$

Generators selected (1); $t(0,0,1)$; (2)

Positions

Multiplicity, Wyckoff letter, Site symmetry	Coordinates	Reflection conditions
2 c 1	(1) x, y, z (2) $\bar{x}, \bar{y}, \bar{z}$	General: no conditions Special: no extra conditions
1 b $\bar{1}$	$0, 0, \frac{1}{2}$	
1 a $\bar{1}$	$0, 0, 0$	

Symmetry of special projections

Along [001] 211	Along [100] $\mu 211$	Along [010] $\mu 211$
Origin at $0, 0, z$	$\mathbf{a}' = \mathbf{c}_p$ Origin at $x, 0, 0$	$\mathbf{a}' = \mathbf{c}_p$ Origin at $0, y, 0$

Maximal non-isotypic non-enantiomorphic subgroups

I $[2] \mu 1 (1) 1$

IIa none

IIb none

Maximal isotypic subgroups and enantiomorphic subgroups of lowest index

IIc $[2] \mu \bar{1} (c' = 2c) (2)$

Minimal non-isotypic non-enantiomorphic supergroups

I $[2] \mu 2/m 11 (6)$; $[2] \mu 2/c 11 (7)$; $[2] \mu 112/m (11)$; $[2] \mu 112_1/m (12)$; $[3] \mu \bar{3} (45)$

II none