

$\mu 211$

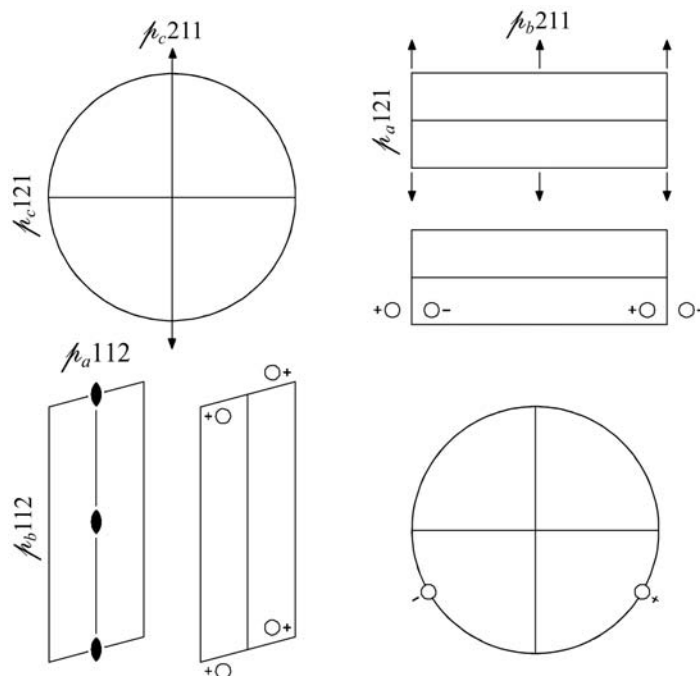
2

Monoclinic/Oblique

No. 3

$\mu 211$

Patterson symmetry $\mu 2/m 1 1$



Origin on 2

Asymmetric unit $0 \leq z \leq \frac{1}{2}$

Symmetry operations

- (1) 1 (2) 2 $x, 0, 0$
 (1|0, 0, 0) (2_x|0, 0, 0)

Generators selected (1); $t(0,0,1)$; (2)

Positions

Multiplicity, Wyckoff letter, Site symmetry		Coordinates	Reflection conditions	
2	c	1	(1) x, y, z (2) x, \bar{y}, \bar{z}	General: no conditions Special: no extra conditions
1	b	2	$x, 0, \frac{1}{2}$	
1	a	2	$x, 0, 0$	

Symmetry of special projections

Along [001] $11m$	Along [100] $\bar{2}11$	Along [010] $\bar{2}11$
Origin at $0, 0, z$	$\mathbf{a}' = \mathbf{c}$ Origin at $x, 0, 0$	$\mathbf{a}' = \mathbf{c}_p$ Origin at $0, y, 0$

Maximal non-isotypic non-enantiomorphic subgroups

I $[2] \bar{2}1 (1)$ 1

IIa none

IIb none

Maximal isotypic subgroups and enantiomorphic subgroups of lowest index

IIc $[2] \bar{2}11 (c' = 2c)$ (3)

Minimal non-isotypic non-enantiomorphic supergroups

I $[2] \bar{2}/m11$ (6); $[2] \bar{2}/c11$ (7); $[2] \bar{2}222$ (13); $[2] \bar{2}222_1$ (14); $[2] \bar{2}mm$ (18); $[2] \bar{2}cm$ (19); $[3] \bar{3}12$ (46); $[3] \bar{3}_112$ (47); $[3] \bar{3}_212$ (48)

II none