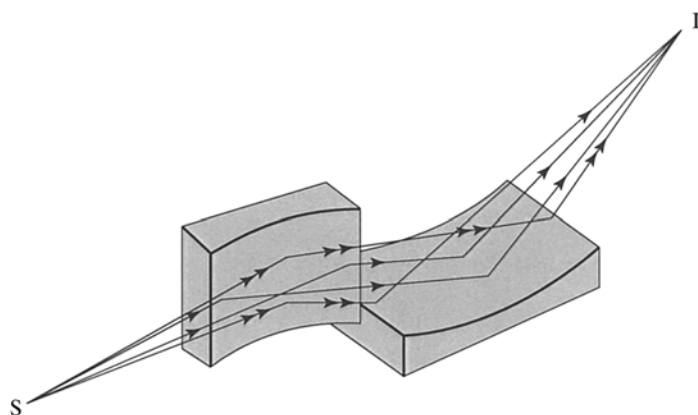


## 6. RADIATION SOURCES AND OPTICS

**Figure 6.1.4.1**

Production of a point focus by successive reflections at two orthogonal curved mirrors. Arrangement due to Kirkpatrick & Baez (1948) and to Franks (1955).

Intensity changes can be caused by mechanical movement of collimating components. Among these may be such unsuspected effects as flexing of the target surface with changes in cooling-water pressure.

The response of an incident-beam monitor may itself vary as a result of changes in temperature, barometric pressure, or humidity.

Synchrotron radiation from storage rings has a regular time-dependent modulation brought about by the rate of passage of bunches of electrons or positrons in the ring. For the great majority of measurements, this time structure has no effect, but at very high intensities, the counting losses are greater than they would be from a steady source.

**6.1.4. Beam conditioning**

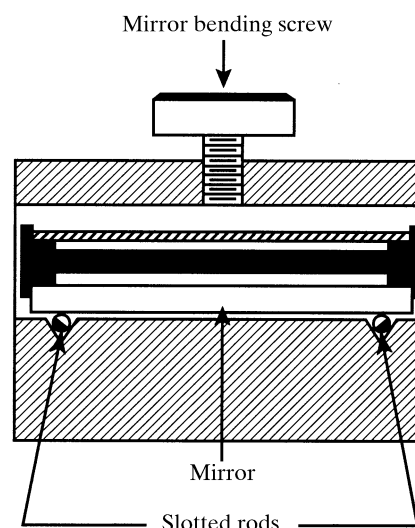
The primary X-ray beam from the source is conditioned by a variety of devices, such as filters, mirrors and monochromators, to produce the appropriate properties for the beam incident on the sample.

**6.1.4.1. X-ray mirrors**

It is usually necessary to focus the X-ray beam in two orthogonal directions. This can be achieved either by means of one mirror with curvatures in two orthogonal planes or by two successive reflections from two mirrors which are curved in one plane and planar in the other; the two planes of curvature must be at right angles to one another. In the arrangement adopted by Kirkpatrick & Baez (1948) and by Franks (1955), the two mirrors lie one behind the other (Fig. 6.1.4.1) and thus produce a different degree of collimation in the two planes. Instead of this tandem arrangement, the mirrors can lie side-by-side, as proposed by Montel (1957), to form what the author calls a 'catamegonic roof' (Fig. 6.1.4.2). The mirrors are then best made

**Figure 6.1.4.2**

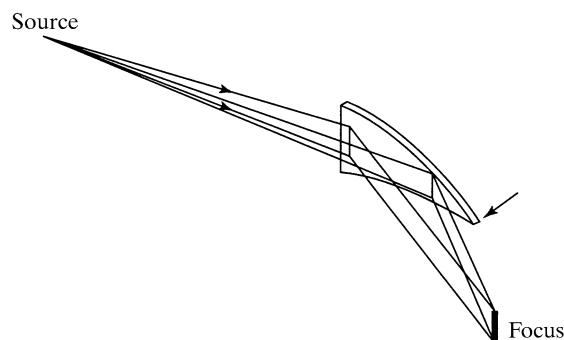
The 'catamegonic' arrangement of Montel (1957), in which two confocal mirrors with orthogonal curvatures lie side-by-side.

**Figure 6.1.4.3**

Mirror bender (after Franks, 1955). The force exerted by the screw produces two equal couples which bend the mirror into a circular arc. The slotted rods act as pivots and also as beam-defining slits.

from thicker material, and the reflecting surfaces are ground to the appropriate curvature. The same arrangement has been used by Osmic Inc. (1998) for their Confocal Max-Flux Optics, in which the curved surfaces are coated with graded-spacing multilayers.

Flat mirror plates can be bent elastically to a desired curvature by applying appropriate couples. Fig. 6.1.4.3 shows the bending method adopted by Franks (1955). A cylindrical curvature results from a symmetrical arrangement that produces equal couples at both ends. With appropriate unequal couples applied at the two ends of the plate, the curvature can be made parabolic or elliptical. Precision elliptical mirrors have been produced by Padmore *et al.* (1997); unequal couples are applied in this way. Cylindrically curved mirrors can be produced by applying a force at the tip of a triangular plate whose base is firmly anchored (Fig. 6.1.4.4). Lemonnier *et al.* (1978) first used this method for making curved-crystal monochromators. Milch (1983) described X-ray mirrors made in this way; the effect of the linear increase of the bending moment along the plate is compensated by the linear increase of the plate section so that the curvature is constant. An elliptical or a parabolic curvature results if either the width or the thickness of the plate is made to vary in an appropriate way along the length of the plate. Arndt, Long & Duncumb (1998) described a monolithic mirror-bending block in which the mirror plates are

**Figure 6.1.4.4**

Triangular mirror bender as described by Lemonnier *et al.* (1978) for crystal plates and by Milch (1983) for glass mirrors. The base of the triangular plate is clamped and the bending force is applied at the apex along the arrow.