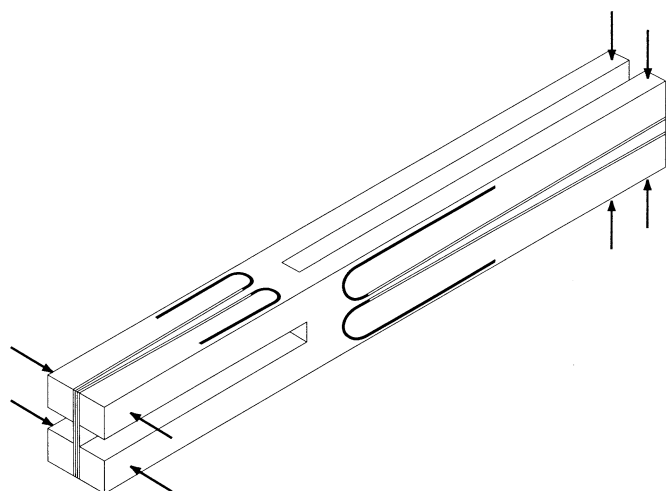


## 6.1. X-RAY SOURCES



**Figure 6.1.4.5**  
Mirror holder with machined slots for two orthogonal pairs of curved mirrors (after Arndt, Duncumb *et al.*, 1998).

inserted into slots cut to an elliptical curvature by ion-beam machining. The solid angle of collection is made four times larger than for a two-mirror arrangement by providing a pair of horizontal mirrors and a pair of vertical mirrors in tandem in one block (Fig. 6.1.4.5).

Mirror plates for these benders are usually made from highly polished glass, quartz, or silicon plates which are coated with nickel, gold, or iridium.

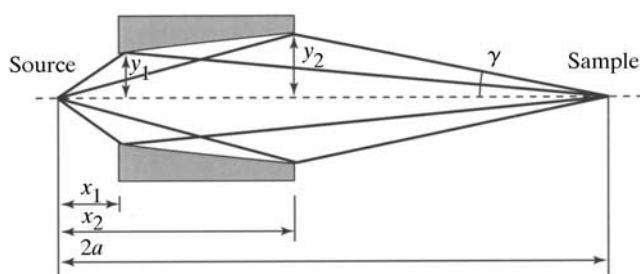
Mirrors for synchrotron beam lines that focus the radiation in the vertical plane are most often ground and polished to the correct shape, rather than bent elastically. Much longer mirrors can be made in this way.

The collecting efficiency of specularly reflecting mirrors depends on the reflectivity of the surface and on the solid angle of collection; this, in turn, is a function of the maximum glancing angle of incidence, which is the critical angle for total external reflection,  $\theta_c$ . For X-rays of wavelength  $\lambda$ , measured in Å,

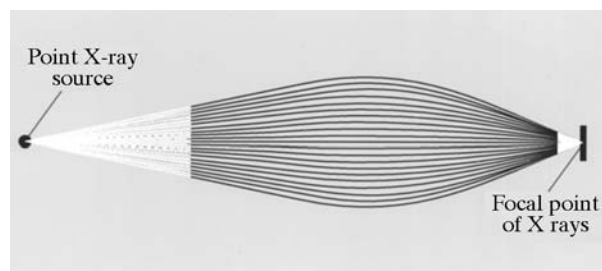
$$\theta_c \simeq 2.32 \times 10^{-3} (Z\rho/A)^{1/2} \lambda,$$

where  $Z$  is the atomic number,  $A$  is the atomic mass and  $\rho$  is the specific gravity of the reflecting surface.

Thus, for Cu  $K\alpha$  radiation and a gold surface,  $\theta_c \simeq 10$  mrad. The reflectivity of the mirror surface is strongly dependent on the surface roughness; for the reflectivity to be more than 50%, the r.m.s. roughness must not exceed 10 Å.



**Figure 6.1.4.6**  
Ellipsoidal mirror for use with a microfocus X-ray tube, where  $x_1$  is  $\sim 15$  mm. The major axis,  $2a$ , may be up to 600 mm, whereas the exit aperture,  $2y_2$ , lies in the region 0.8–1.4 mm. The angle  $\gamma$  determines the cross fire on the sample and is less than 1 rad.



**Figure 6.1.4.7**  
A polycapillary collimator (after Bly & Gibson, 1996).

It is not possible to design a reflecting collimator with a planar angle of collection greater than about  $3\theta_c$ . For the shorter wavelengths, in particular, variable-spacing multilayer mirrors (Schuster & Göbel, 1997) hold considerable promise. If the spacing at the upstream end of the mirror is 30 Å, the largest angles of incidence will be 26 and 17 mrad for 1.54 and 1.0 Å X-rays, respectively. By comparison, the critical angles at a gold surface for these radiations are 10 and 6.5 mrad, respectively.

#### 6.1.4.2. Focusing collimators for microfocus sources

In most arrangements that include conventional X-ray tubes, the planar angle of collection is very small. A more efficient use is always made of the radiation from the target by a focusing collimator, which forms an image of the source on the sample (Fig. 6.1.4.6). The angle of collection should be as large as possible, while the cross fire, *i.e.* the angle of convergence, is kept small, say, at about  $10^{-3}$  rad. It is possible to design focusing collimators based on gold-surfaced toroids of revolution (Elliott, 1965), which afford a planar angle of collection of about three times the critical angle for total external reflection, that is, about  $30 \times 10^{-3}$  rad.

Consequently, the mirror should *magnify* about 30 times, and if the image diameter, determined by a typical sample size, is to be 300  $\mu\text{m}$ , the size of the focus should be about 10  $\mu\text{m}$ . The solid angle of collection of such an imaging toroid is about  $8 \times 10^{-4}$  steradians, that is, more than 1000 times greater than the solid angle of a simple non-imaging collimator. The averaged mirror reflectivity achieved at present is about 0.3, so the microfocus tube and toroidal mirror combination produces a similar intensity at the sample as the conventional tube with a non-focusing collimator at about 300 times the power. Future increases of the reflectivity are likely as the surface roughness of the mirrors is improved.

A suitable microfocus tube has been described by Arndt, Long & Duncumb (1998); mirrors used with this tube were discussed by Arndt, Duncumb *et al.* (1998). The tube design allows the distance between the source and the mirror to be as little as 10 mm in order to achieve the necessary magnification without making the distance between the tube and the sample inconveniently long.

#### 6.1.4.3. Other focusing collimators

There has been very active development in recent years of tapering capillaries for focusing X-rays, either as individual capillaries (see the review by Bilderback *et al.*, 1994), or in the form of multicapillary bundles. The latter were first described by Kumakhov & Komarov (1990); since then, they have undergone great improvements in the form of fused bundles (Bly & Gibson, 1996) (Fig. 6.1.4.7). Single capillaries have found the greatest use