

## 2.5. TWO-DIMENSIONAL POWDER DIFFRACTION

origin of the  $X_L, Y_L, Z_L$  coordinates. This cross point is also known as the goniometer centre or instrument centre.

Fig. 2.5.7(b) shows the relationship and stacking sequence among all rotation axes ( $\omega, \psi, \varphi$ ) and the sample coordinates  $S_1, S_2, S_3$ .  $\omega$  is the base rotation; all other rotations and translations are on top of this rotation. The next rotation above  $\omega$  is the  $\psi$  rotation. The next rotation above  $\omega$  and  $\psi$  is the  $\varphi$  rotation. The sample coordinates  $S_1, S_2, S_3$  are fixed to the sample regardless of the particular sample orientation given by the rotation angles ( $\omega, \psi, \varphi$ ). The  $\varphi$  rotation in the goniometer is intentionally chosen as a left-handed rotation so that the diffraction vectors will make a right-hand rotation observed in the sample coordinates  $S_1, S_2, S_3$ .

## 2.5.2.4. Diffraction-vector transformation

## 2.5.2.4.1. Diffraction unit vector in diffraction space and sample space

In 2D-XRD data analysis, it is crucial to know the diffraction-vector distribution in terms of the sample coordinates  $S_1, S_2, S_3$ . However, the diffraction-vector distribution corresponding to the measured 2D data is always given in terms of the laboratory coordinates  $X_L, Y_L, Z_L$  because the diffraction space is fixed to the laboratory coordinates. Fig. 2.5.8 shows the unit vector of a diffraction vector in both (a) the laboratory coordinates  $X_L, Y_L, Z_L$  and (b) the sample coordinates  $S_1, S_2, S_3$ . In Fig. 2.5.8(a) the unit vector  $\mathbf{h}_L$  is projected to the  $X_L, Y_L$  and  $Z_L$  axes as  $h_x, h_y$  and  $h_z$ , respectively. The three components are given by equation (2.5.5). In order to analyse the diffraction results relative to the sample orientation, it is necessary to transform the unit vector to the sample coordinates  $S_1, S_2, S_3$ . Fig. 2.5.8(b) shows the same unit vector, denoted by  $\mathbf{h}_s$  projected to  $S_1, S_2$  and  $S_3$  as  $h_1, h_2$  and  $h_3$ , respectively.

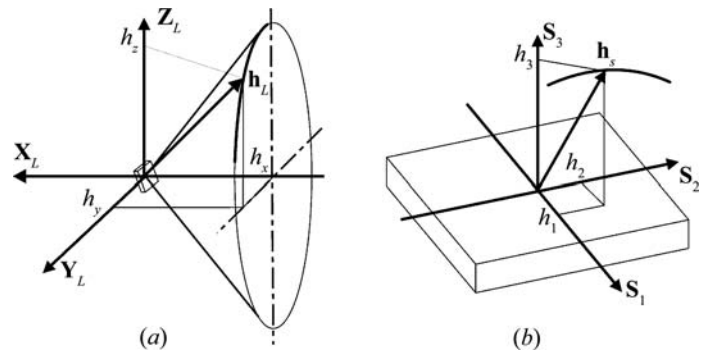
## 2.5.2.4.2. Transformation from diffraction space to sample space

The transformation of the unit diffraction vector from the laboratory coordinates  $X_L, Y_L, Z_L$  to the sample coordinates  $S_1, S_2, S_3$  is given by

$$\mathbf{h}_s = \mathbf{A}\mathbf{h}_L, \quad (2.5.10)$$

where  $\mathbf{A}$  is the transformation matrix. For Eulerian geometry in matrix form, we have

$$\begin{bmatrix} h_1 \\ h_2 \\ h_3 \end{bmatrix} = \begin{bmatrix} a_{11} & a_{12} & a_{13} \\ a_{21} & a_{22} & a_{23} \\ a_{31} & a_{32} & a_{33} \end{bmatrix} \begin{bmatrix} h_x \\ h_y \\ h_z \end{bmatrix} \\ = \begin{bmatrix} -\sin \omega \sin \psi \sin \varphi & \cos \omega \sin \psi \sin \varphi & -\cos \psi \sin \varphi \\ -\cos \omega \cos \varphi & -\sin \omega \cos \varphi & \\ \sin \omega \sin \psi \cos \varphi & -\cos \omega \sin \psi \cos \varphi & \cos \psi \cos \varphi \\ -\cos \omega \sin \varphi & -\sin \omega \sin \varphi & \\ -\sin \omega \cos \psi & \cos \omega \cos \psi & \sin \psi \end{bmatrix} \\ \times \begin{bmatrix} -\sin \theta \\ -\cos \theta \sin \gamma \\ -\cos \theta \cos \gamma \end{bmatrix}. \quad (2.5.11)$$


**Figure 2.5.8**

Unit diffraction vector in (a) the laboratory coordinates and (b) the sample coordinates.

In expanded form:

$$\begin{aligned} h_1 &= \sin \theta (\sin \varphi \sin \psi \sin \omega + \cos \varphi \cos \omega) + \cos \theta \cos \gamma \sin \varphi \cos \psi \\ &\quad - \cos \theta \sin \gamma (\sin \varphi \sin \psi \cos \omega - \cos \varphi \sin \omega) \\ h_2 &= -\sin \theta (\cos \varphi \sin \psi \sin \omega - \sin \varphi \cos \omega) \\ &\quad - \cos \theta \cos \gamma \cos \varphi \cos \psi \\ &\quad + \cos \theta \sin \gamma (\cos \varphi \sin \psi \cos \omega + \sin \varphi \sin \omega) \\ h_3 &= \sin \theta \cos \psi \sin \omega - \cos \theta \sin \gamma \cos \psi \cos \omega - \cos \theta \cos \gamma \sin \psi \end{aligned} \quad (2.5.12)$$

In addition to the diffraction intensity and Bragg angle corresponding to each data point on the diffraction ring, the unit vector  $\mathbf{h}_s\{h_1, h_2, h_3\}$  provides orientation information in the sample space. The transformation matrix of any other goniometer geometry, such as kappa geometry (Paciorek *et al.*, 1999), can be introduced into equation (2.5.10) so that the unit vector  $\mathbf{h}_s\{h_1, h_2, h_3\}$  can be expressed in terms of the specified geometry. All equations using the unit vector  $\mathbf{h}_s\{h_1, h_2, h_3\}$  in this chapter, such as in data treatment, texture analysis and stress measurement, are applicable to all goniometer geometries provided that the unit-vector components are generated from the corresponding transformation matrix from diffraction space to the sample space.

## 2.5.2.4.3. Transformation from detector space to reciprocal space

Reciprocal-space mapping is commonly used to analyse the diffraction patterns from highly oriented structures, diffuse scattering from crystal defects, and thin films (Hanna & Windle, 1995; Mudie *et al.*, 2004; Smilgies & Blasini, 2007; Schmidbauer *et al.*, 2008). The equations of the unit-vector calculation given above can also be used to transform the diffraction intensity from the diffraction space to the reciprocal space with respect to the sample coordinates. The direction of the scattering vector is given by the unit vector  $\mathbf{h}_s\{h_1, h_2, h_3\}$  and the magnitude of the scattering vector is given by  $2 \sin \theta / \lambda$ , so that the scattering vector corresponding to a pixel is given by

$$\mathbf{H} = \frac{2 \sin \theta}{\lambda} \mathbf{h}_s. \quad (2.5.13)$$

The three-dimensional reciprocal-space mapping can be obtained by applying the normalized pixel intensities to the corresponding reciprocal points. With various sample orientations, all pixels on the detector can be mapped into a 3D reciprocal space.